

Product Code: RAPID25INTERNAL  
Rapid Saddle Conduit Saddle



### Description

25mm Rapid Saddle

### Finish

Bright-Zinc Plated

### Material

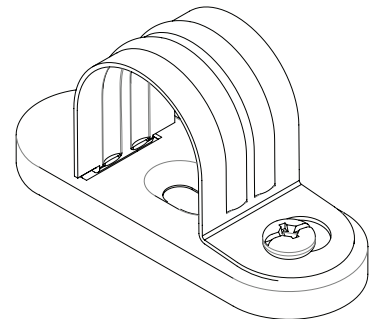
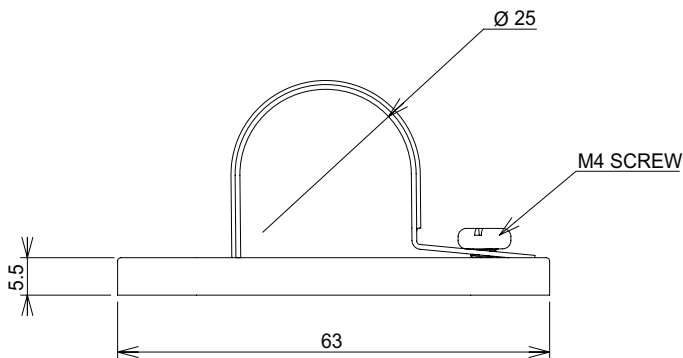
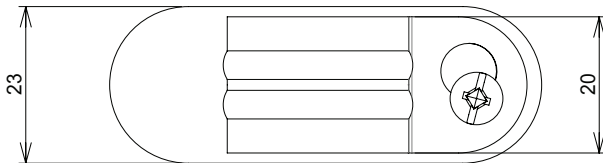
Pressed Steel

### Packaging

Packed in qty 100

### Additional Notes

Conforms to BSEN61386-1:2008+A1:2019 and BSEN61386-25:2011  
Holds tube in situ to allow for easier installation.  
Offers up to 40% labour savings.  
For use in internal installations.



Values are nominal and with a general tolerance  $\pm 5\%$  unless otherwise specified